

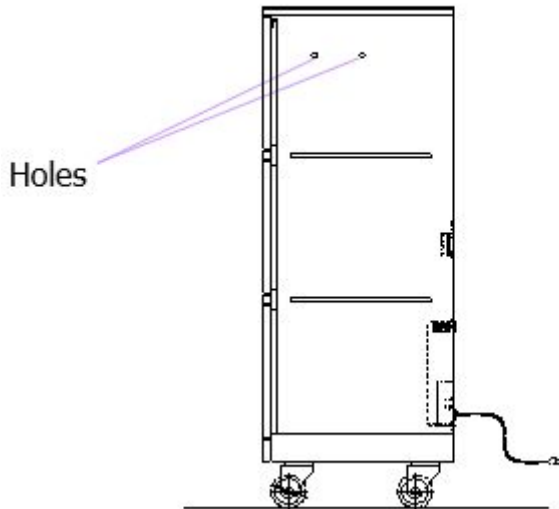
Installation Instructions

Auto Purge System



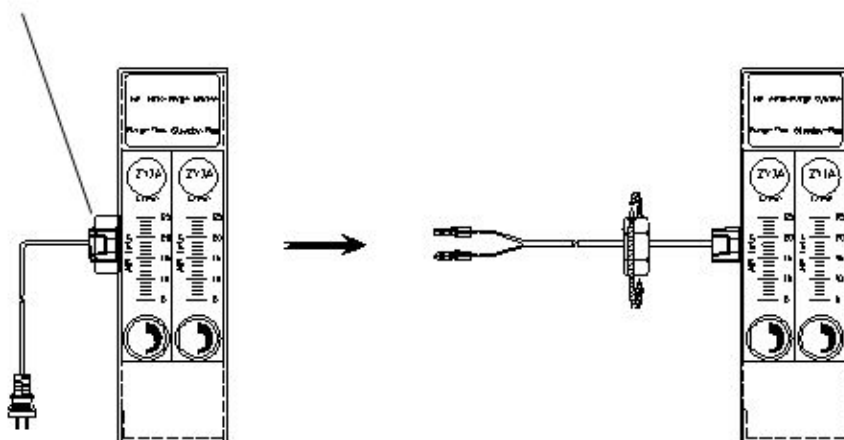
N2 Auto Flow instructions

Holes for N2 system (Side)



Installing instruction

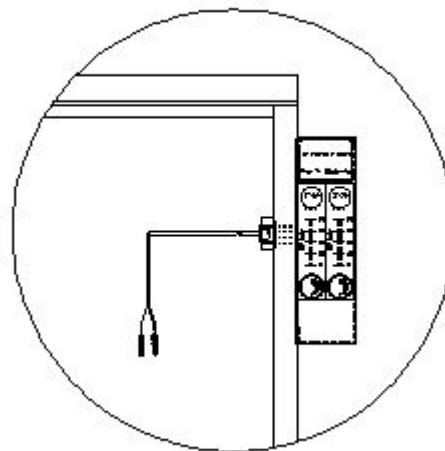
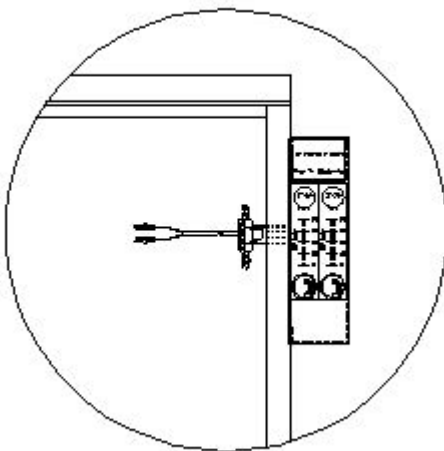
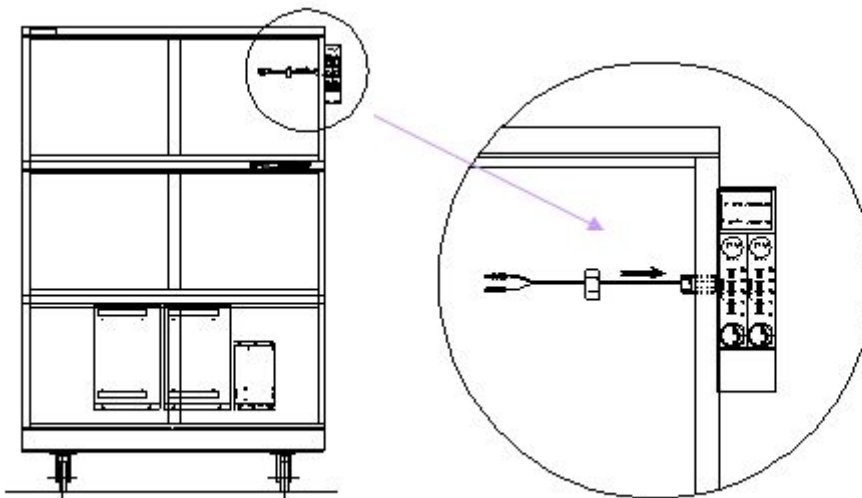
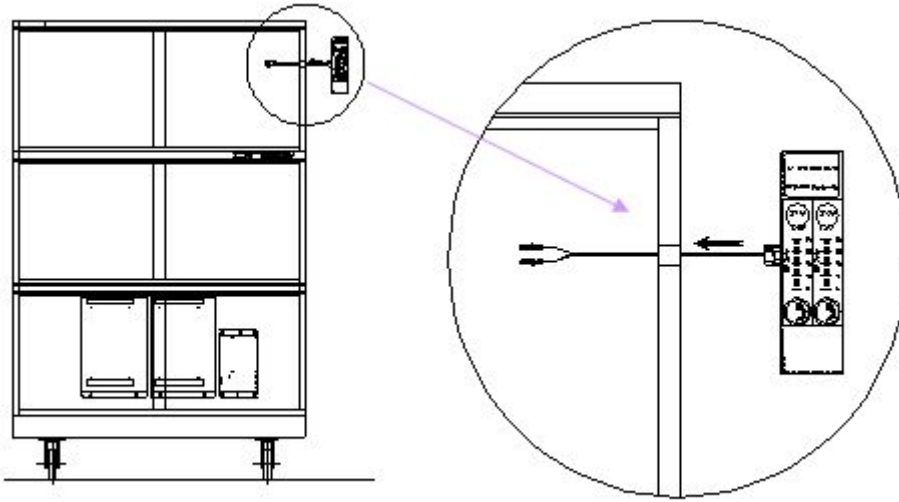
Step 1: Unscrew the nut



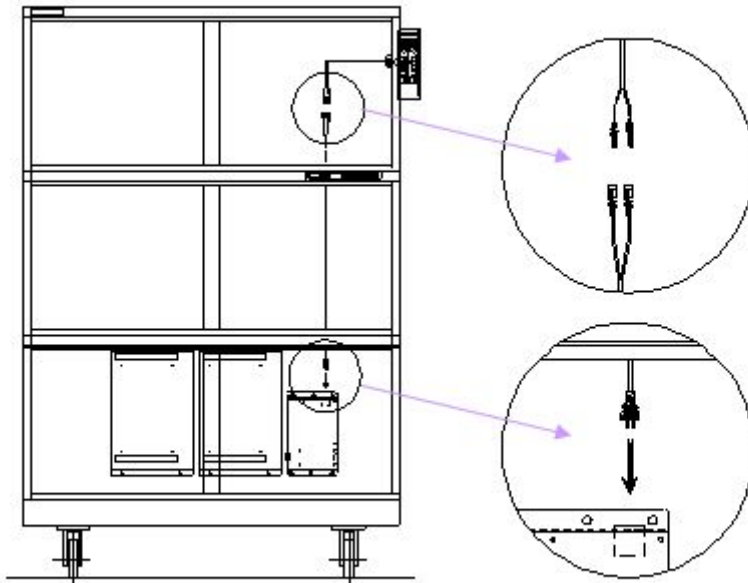
Step 2: Install N2 system into the hole, and then set through the cable and tighten the nut

N2 Auto Flow instructions

Step 3: Connect the butt-plug, and then plug into the control box.



N2 Auto Flow instructions



Humidity setting

1. All the functions are set on the control panel.
2. N2 Purging time: Press both H/T and Down, the digit will flash, then press UP or DOWN for the time. Press SET for confirmation.

Extent of supply

- Auto-Flow control device
- Instruction manual
- Installation cable

5. Technical data

Power supply:	Direct from power supply cabinet
N ² Connection:	6mm hose connection
N ² Pressure:	1 – 6 bar
N ² Standby- amount:	0 – 25 L/min
N ² Purge:	0 – 25 L/min

N2 Auto Flow instructions

6. CE- Declaration

With this document we declare,

Totech Europe BV
Paxtonstraat 11
8013 RP Zwolle

That the Auto Purge System is in conformation with the following EG standards:

EN55011: 1998+A1:1999+A2:2002

EN61000-6-2:2001

2006/95/EG

2004/108/EG

Totech Europe B.V.
Gerhard Kurpiela,



Technical director