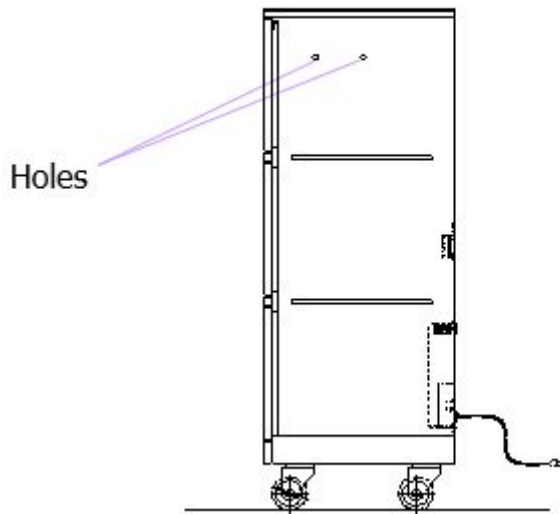


# Installation Instructions Auto Purge System



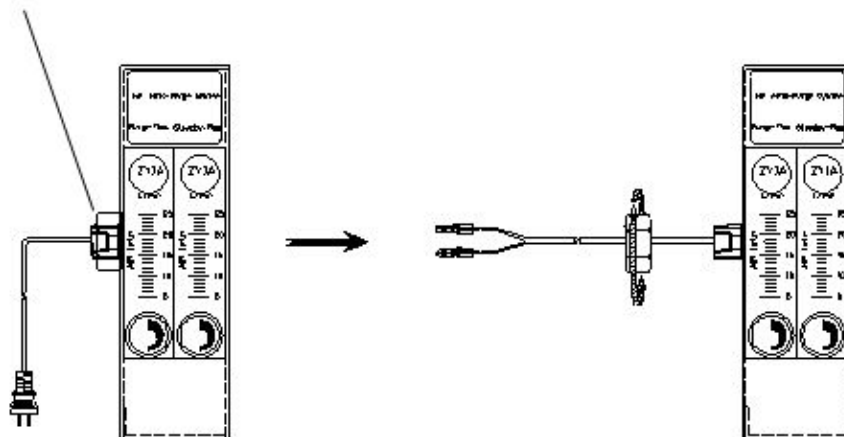
## N2 Auto Flow instructions

### Holes for N2 system (Side)



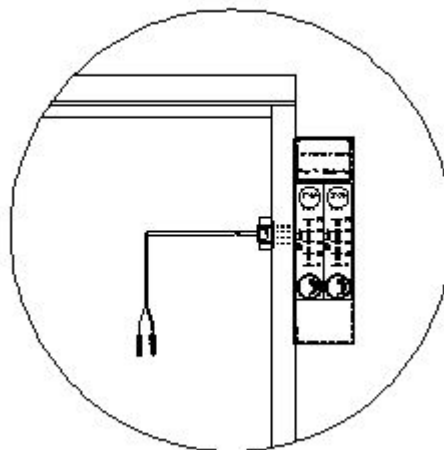
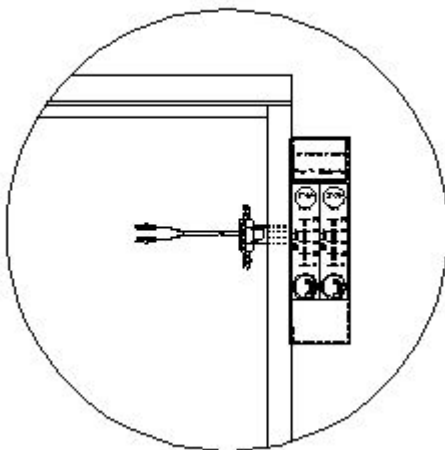
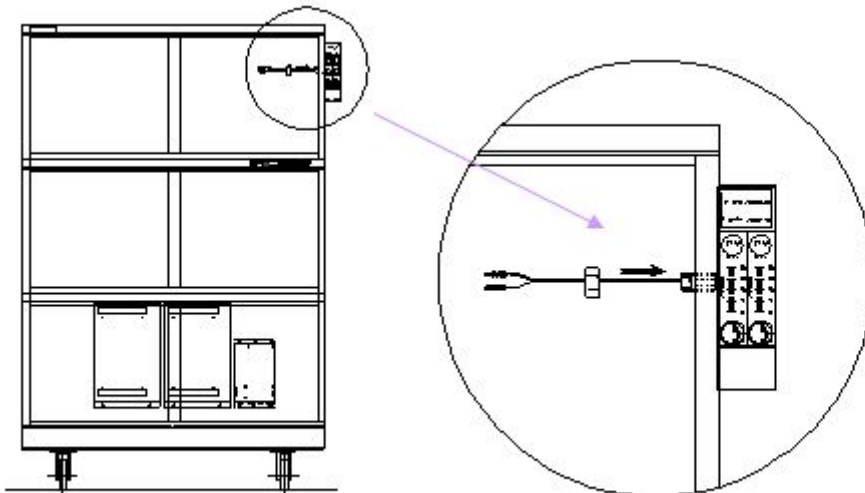
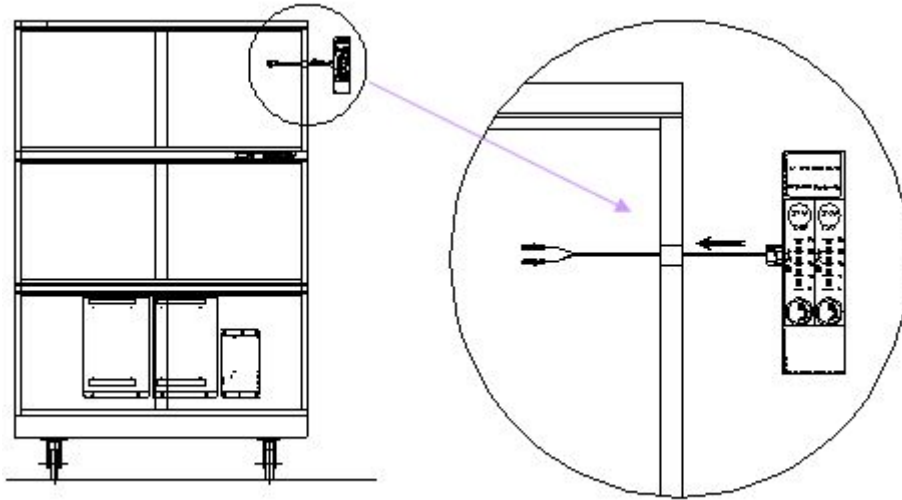
### Installation instructions

**Step 1:** Unscrew and remove the nuts on the side of the N2 Auto Flow.



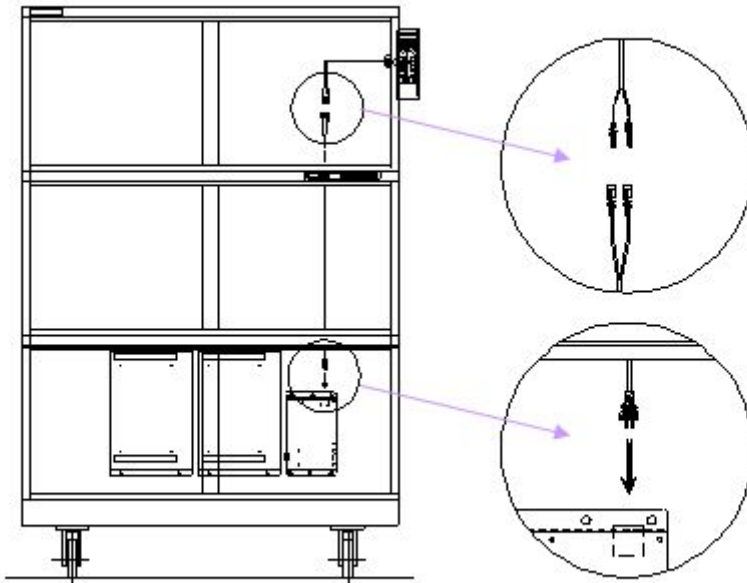
## N2 Auto Flow instructions

**Step 2:** Slide the N2 system through the holes on the side of the cabinet and re-mount the nuts.



## N2 Auto Flow instructions

**Step 3:** Connect one end of the installation cable onto the connector coming out of the N2 system, the other end of the extension cable plugs into the control box.



### Display settings

1. All the functions are set on the control panel.
2. N2 Purging time: Press both DOWN and H/T on the front panel, the setpoint in minutes will flash on the screen, then press UP or DOWN to change the time. Press SET to confirm the new set value.

### Contents

- Auto-Flow control device
- Instruction manual
- Installation cable

### Technical data

Power supply:	Direct from power supply cabinet
N <sup>2</sup> Connection:	6mm hose connection
N <sup>2</sup> Pressure:	1 – 6 bar
N <sup>2</sup> Standby- amount:	0 – 25 L/min
N <sup>2</sup> Purge:	0 – 25 L/min

### CE- Declaration

## N2 Auto Flow instructions

With this document we declare,

Totech Europe BV  
Paxtonstraat 11  
8013 RP Zwolle

That the Auto Purge System is in conformation with the following EG standards:

EN55011: 1998+A1:1999+A2:2002  
EN61000-6-2:2001  
2006/95/EG  
2004/108/EG

Totech Europe B.V.  
Gerhard Kurpiela,



Technical director